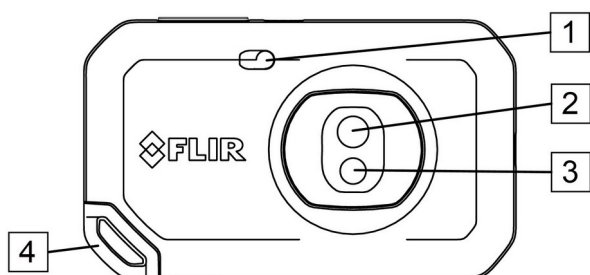


Zero Carbon Haddenham - Teledyne FLIR C5 Thermal Imager

Quickstart

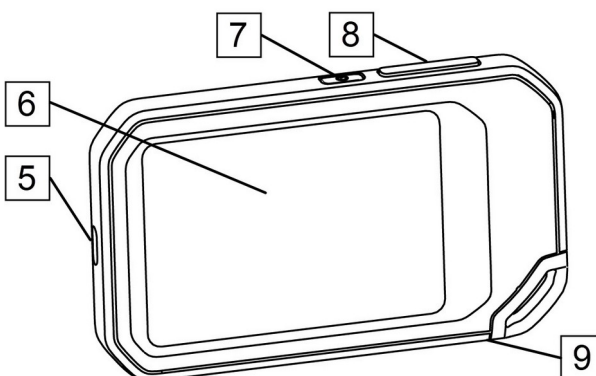
The scanner/camera will be supplied to you fully charged – you should not need to charge the battery in normal use. DO NOT remove the screen protector film – it is there to make sure we keep the screen and clean as possible. Always use the lanyard to avoid the possibility that you might drop the camera!

Camera overview



1. Camera lamp.
2. Infrared lens.
3. Visual camera lens.
4. Lanyard attachment point.

5. USB-C connector.
6. Camera screen.
7. On/off button.
8. Save button.
9. Tripod mount.



Getting started

1. Push the On/off button for about half a second then release it to turn on the camera. If there is no response, press and hold the On/Off button until the FLIR logo appears on the screen and wait until the black and white progress bar on the screen appears and completes and an image is seen on the screen..

2. If prompted, follow the instructions on the camera screen to select the language, units, date and time formats, etc.

3. If you wish you can set up the camera to upload images for storage online in the FLIR Ignite cloud storage system.

To do this you need to create and connect your camera to a FLIR Ignite account. Use a computer or other device with internet access and follow the instructions on the camera screen. You do not need to do this to save images to your computer.

4. To take a picture (save an image), push the Save button.
5. When you have finished taking pictures, you can connect the supplied USB cable between the camera and your computer to transfer the images you have saved.
6. To turn off the camera press the On/Off button once until the screen goes black.

Moving files via USB cable

When you save an image, the file is stored in the internal camera memory. You can move the image files by connecting the camera to a computer using the USB cable.

Note To be able to access the camera file system from a Mac computer, you must first install an Android File Transfer application. For more information, go to <https://www.android.com/filetransfer>.

To move files to a computer via USB cable, do the following:

1. Make sure the camera is turned on
2. Connect the camera to the computer using the USB cable. A device called FLIR Camera will appear.
3. Your images will be in a folder called 100_FLIR inside the DCIM folder inside Images
3. Move the files to the computer using a drag-and-drop operation.

Note: Moving a file using a drag-and-drop operation does not delete the file in the camera.

Hints and tips

- A thermal camera has a resolution limit. This depends on the size of the detector, the lens, and the distance to the target. Use the center of the spot tool as a guide to the minimum possible object size, and get closer if necessary. Make sure to stay away from dangerous areas and live electrical components.
- Be careful when holding the camera perpendicular to the target. Be observant of reflections, especially at low emissivities—you, the camera, or the surroundings may become the main source of reflection.
- Select a zone of high emissivity, e.g., an area with a matte surface, to perform a measurement.
- Blank objects, i.e., those with low emissivities, may appear warm or cold in the camera, because they mainly reflect the environment.
- Avoid direct sunlight on the details that you are inspecting.
- Various types of faults in a building's construction, may result in the same type of thermal pattern.
- Correctly analyzing an infrared image requires professional knowledge about the application.